

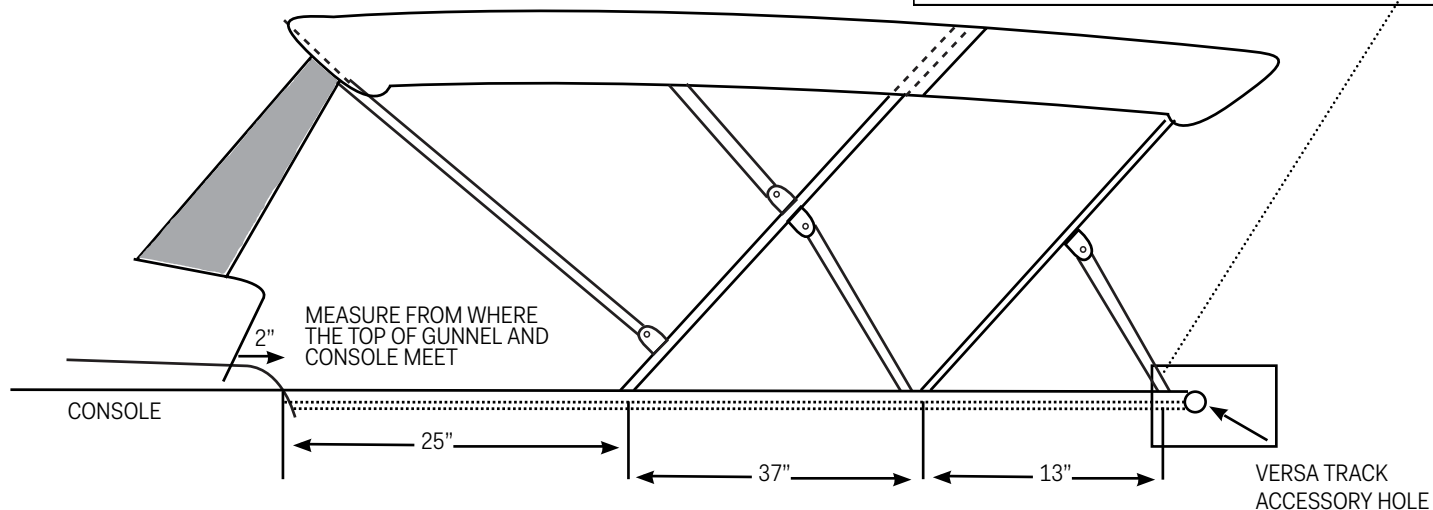
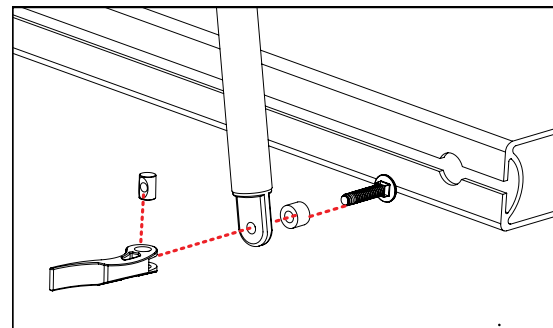
INSTALLATION INSTRUCTIONS

2018-2019 Tracker Convertible Top

Pro Guide V175 Combo

PARTS LIST

Frame
 Top (Front curtain is optional)
 Boot
 Hardware kit
 Extension frame and canopy (optional)
 Extension hardware (optional)



INSTALLATION

STEP 1:

Install eye straps on top of gunnel, 2" behind console and 2" from inside edge of gunnel. These are needed to use the top without the front curtain installed. Install hardware using the Versa Track (figure 1). Do not tighten. Slide to proper locations noted above and tighten.

STEP 2

Wrap the web straps around the frame through the cut-out in the front canvas and attach hook to eye strap. Adjust straps for a tight and smooth appearance.

STEP 3:

Stow in radar arch position by releasing the web straps from the eye straps and fold frame toward the back of the boat. Install the boot. Do not boot the top when it is wet.

STEP 4:

Top may be left in the radar arch position while your boat is underway or the hold-down arms may be released and the top can lay across the aft section of the boat. This is the position for towing your boat on a trailer.

CARE



WARNING

DO NOT TRAILER BOAT WITH TOP IN RADAR ARCH POSITION!



CAUTION

DO NOT STOW TOP WHILE WET!