

INSTALLATION INSTRUCTIONS

2019 Double Canopy & Enclosure

Sun Tracker Party Barge 22 RF DLX Signature

PARTS LIST

Double Canopy

1 Bow Canopy

1 Bow Canopy Boot

1 Bow Hardware Package

1 Bow Frame

Full Enclosure

1 Aft Canopy with Zippers

1 Hardware Package

1 Aft Curtain

1 Bow Canopy with Zippers

2 Aft Side Curtains (1 Port, 1 Starboard)

2 Bow Side Curtains (1 port, 1 Starboard)

1 Bow Curtain

1 Bow Frame

1 Ext Aft Frame

1 Ext Aft Canopy

2 Ext Aft Crutains (1 Port, 1 Starboard)

1 Ext Aft Boot

TOOLS REQUIRED

Measuring Tape

Center Punch

Drill

21/64" Drill Bit

Pencil

Phillips Screwdriver

Wrench



WARNING

INDICATES POTENTIAL HAZARD
THAT COULD RESULT IN DEATH
OR INJURY



CAUTION

INDICATES POTENTIAL
HAZARD THAT COULD
RESULT IN BOAT DAMAGE



NOTE

INDICATES SPECIAL INFORMATION
TO MAKE MAINTENANCE EASIER
OR INSTRUCTIONS CLEARER



NOTE:

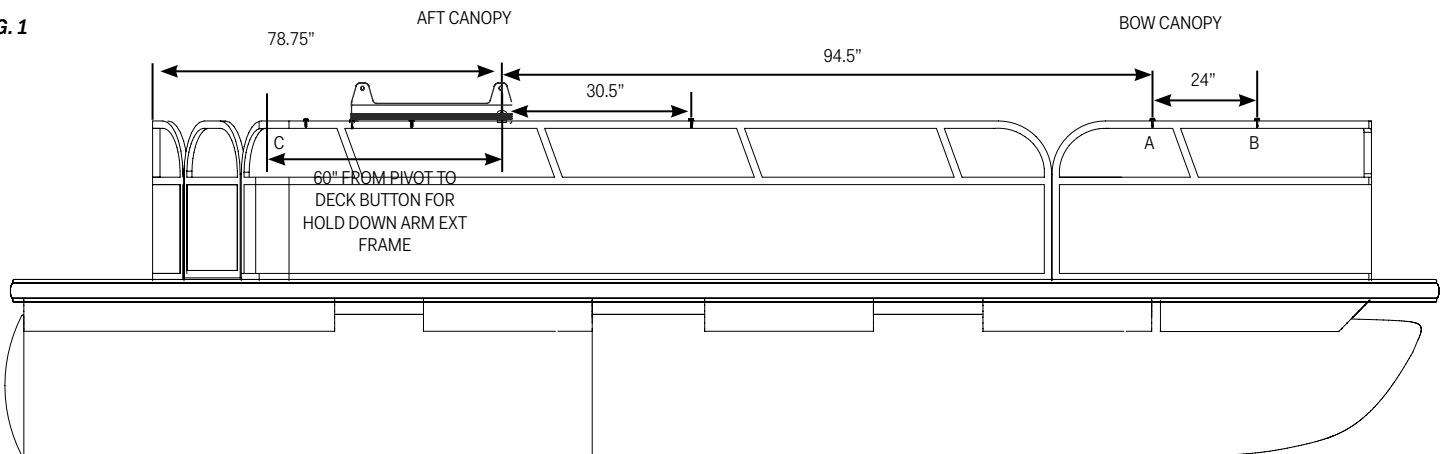
This enclosure is designed to fit the 2019 Tracker Marine Party Barge 22 RF DLX Signature Pontoon Boat that has the aft canopy brackets, deck buttons, and eye straps in the following locations:

Main Aft Bracket 78.75" Forward Aft Eye Strap 30.5"

Measurements should be taken from the back of fence for Aft Canopy Brackets and as shown below for bow canopy brackets and buttons in the following locations:

Aft Main to Bow Main 94.5" Bow Main to Hold-down Arm 24"

FIG. 1



NOTE:

Your pontoon has been pre-assembled with an aft canopy and aft canopy frame from Tracker Marine. The aft canopy that is supplied with the pontoon is not designed to be used with an enclosure. You must remove the standard aft canopy and replace it with the aft canopy that is supplied with the purchase of your enclosure. Once the new canopy is installed, raise the entire unit to the "up" position. Make sure the aft canopy is centered on the frame between the port and starboard sides. This step is very critical, it will determine the final appearance of your completed enclosure.

BRACKET LOCATIONS & ASSEMBLY (FIGURES 1 & 2)

STEP 1

Main button location (A). Measure and place a mark on the top rail 78.75" forward from the aft main bracket. Button location (B). Measure and place a mark on the top rail 24" forward from (A).

STEP 2

Center the deck buttons at each mark as shown in Figure 2. Transfer the centers of each hole at the bottom of the deck button on to the rail using a center punch.

STEP 3

Using 21/64" drill bit, drill holes completely through the top rail.

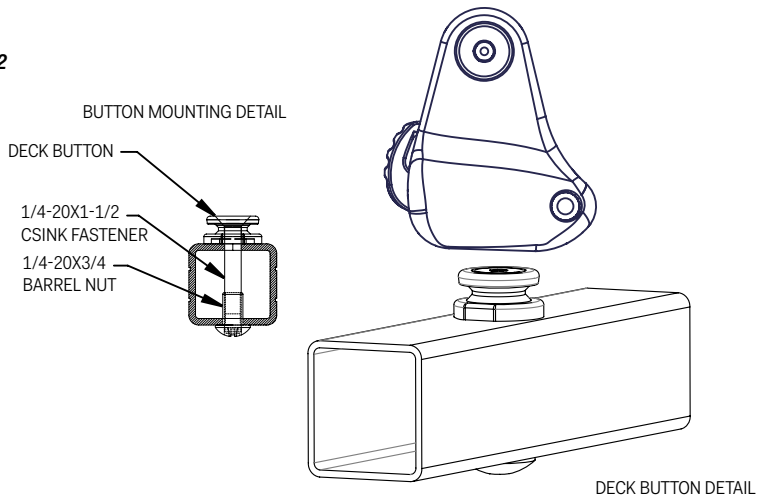
STEP 4

Install deck buttons at location A, B, & C using barrel nuts.

STEP 5

Follow the same procedure for the other side.

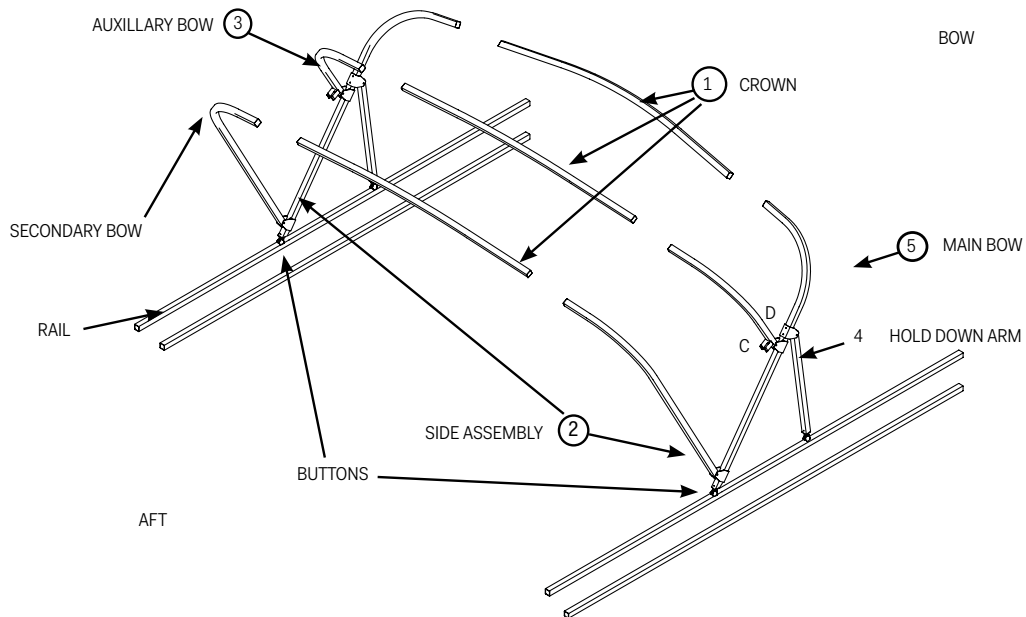
FIG. 2



CAUTION

TO PREVENT DAMAGE TO THE TOP RAIL, IT IS RECOMMENDED TO DRILL A PILOT HOLE FIRST.

FIG. 3



BOW CANOPY & BOW CANOPY FRAME ASSEMBLY (FIGURE 3)

STEP 1

Insert crown pieces (1) into side assemblies (2), making sure that the bend in the center of the mid-frame is to the top and follows the curve of the frame.

STEP 2

After each side assembly has been inserted into each crown piece, secure each split with the provided 1/2" self-drilling screws by drilling through the crown into the stakes of the side assemblies.

STEP 3

With two people, lift the bow frame assembly onto the boat and insert the main bow tube into the previously installed buttons (A). Using barrel nuts and shoulder bolts (inserting shoulder washers, see Figure 2), secure the frame to the rail (Figure 2).

STEP 4

Once the frame is secure, raise the assembly up and latch the hold-down arms (4) to the deck buttons (B).

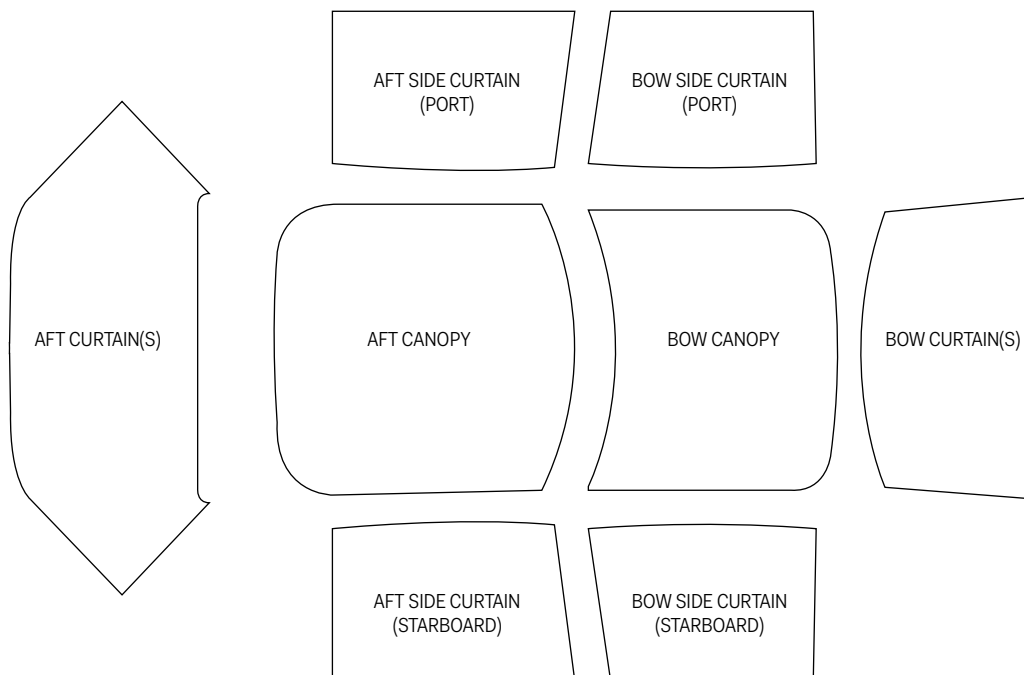
STEP 5

Lay the secondary and auxillary bows forward the aft of the boat. Zip the front pocket of the bow canopy to the main bow (5). Release the hold-down arms (4) and zip the bow canopy to the aft canopy. Push up the auxillary bow and zip inside pocket. Push the secondary bow up and zip inside pocket.

STEP 6

Center the bow canopy before re-securing the hold-down arm (4) to the buttons.

FIG. 5



CURTAINS (FIGURE 5)

STEP 1

Each curtain has a tag sewn in the upper left-hand corner of the flap. This will identify each curtain and give its location on the pontoon.

STEP 2

The curtain flaps will face the inside of the pontoon.

STEP 3

Start with the Bow and Aft curtains. Zip approximately 6" of the Aft curtain to the top. Insert the RailLok HC clips in the rail and slide them down the rail as you insert them. Finish zipping the curtain to the top. Repeat this process for the Bow curtain and side curtains.

STEP 4

Finally zip all curtains together.

STEP 5

To remove the curtains unzip all of the curtains, then unzip each curtain from the top. That will release the tension to remove the RailLok HC clips from the rail.



NOTE:

THIS IS A FLOATING SYSTEM AND CAN BE SHIFTED ALONG THE RAIL FOR BETTER FIT IF NEEDED.